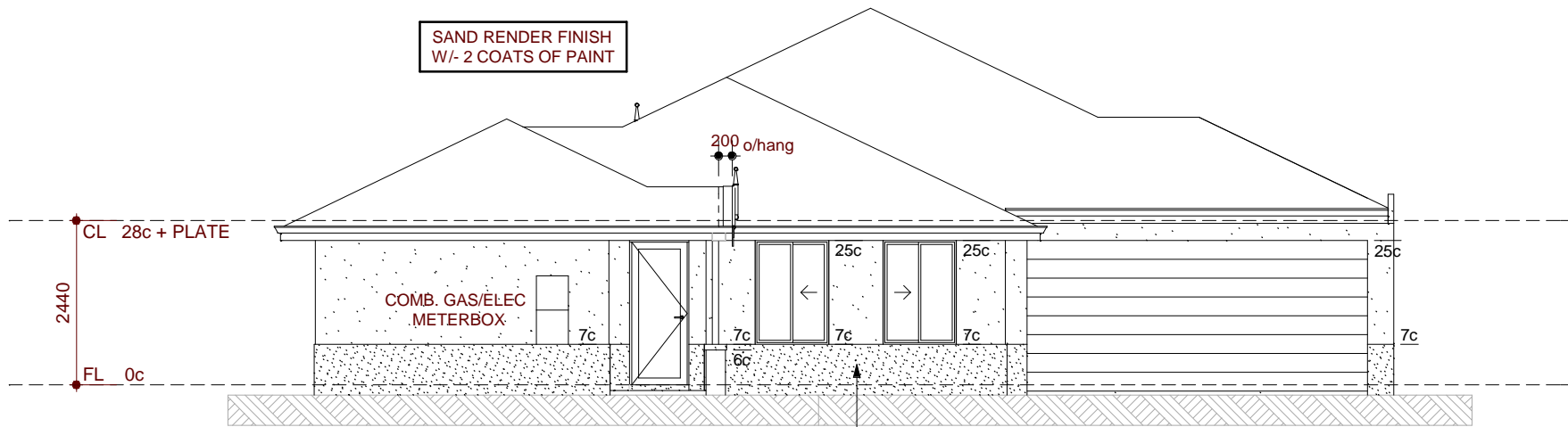


ELEVATION 1

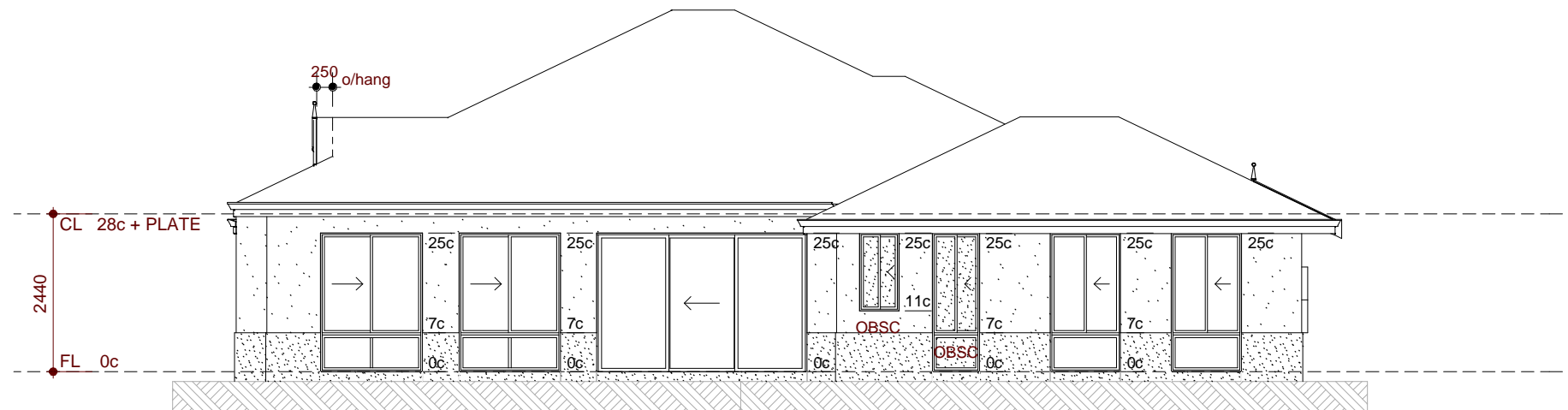
1:100



ELEVATION 2

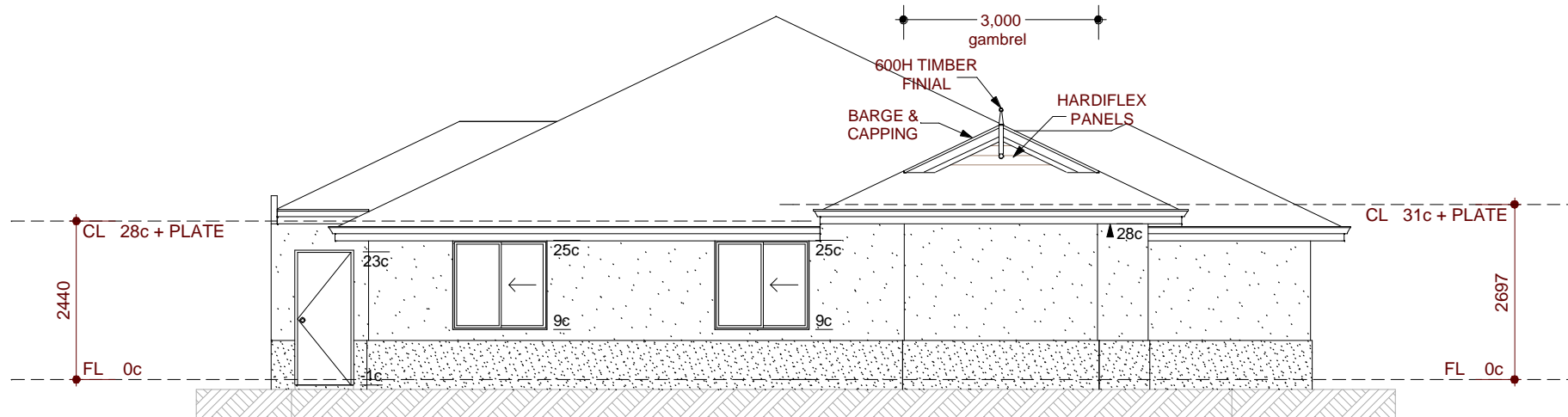
1:100

CONTRASTING RENDER
20mm PROJECTING



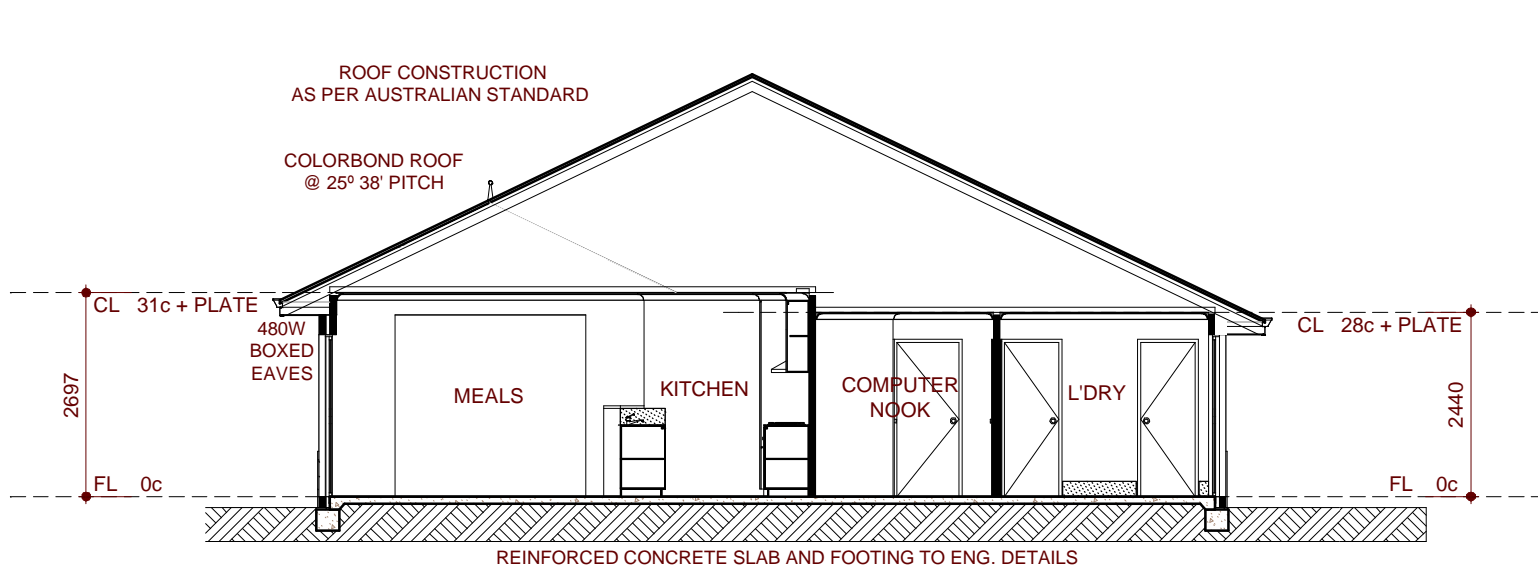
ELEVATION 3

1:100



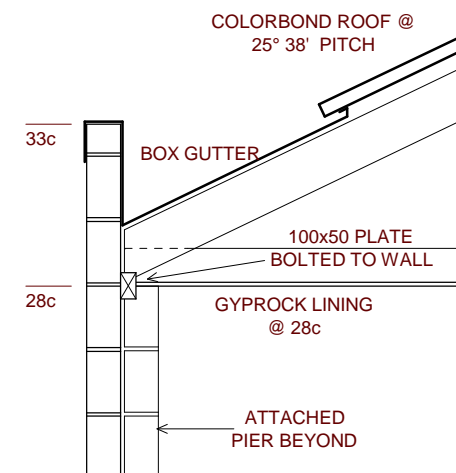
ELEVATION 4

1:100



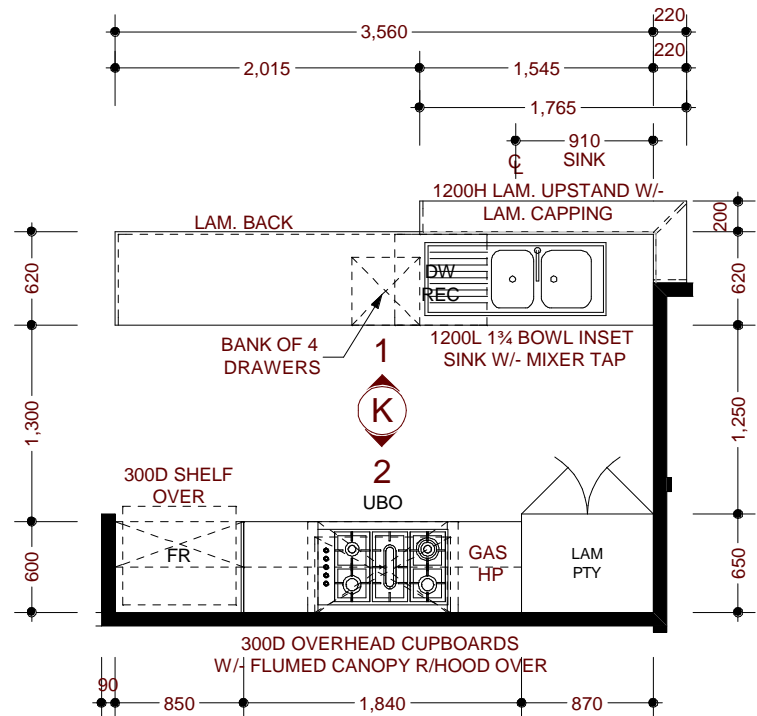
SECTION X-X

1:100

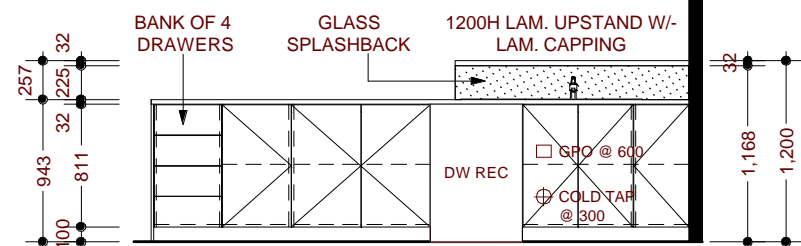


PARAPET WALL AND BOX GUTTER DETAIL

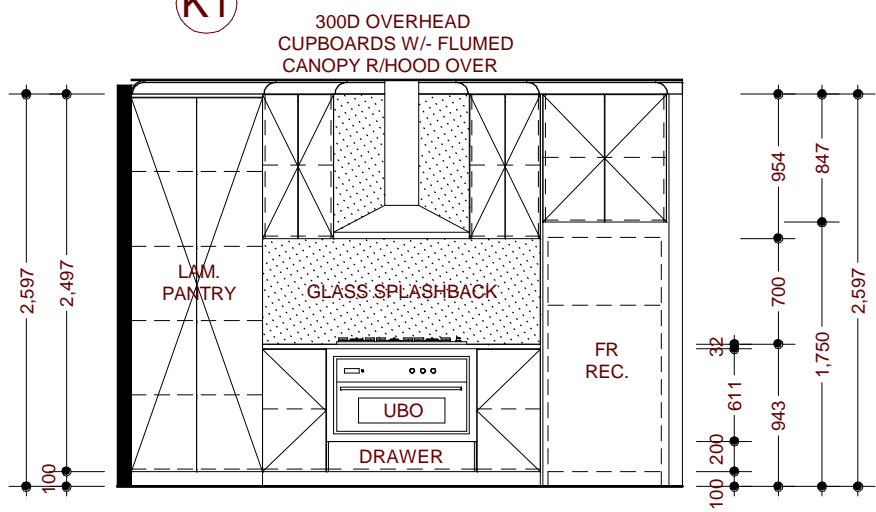
1:20



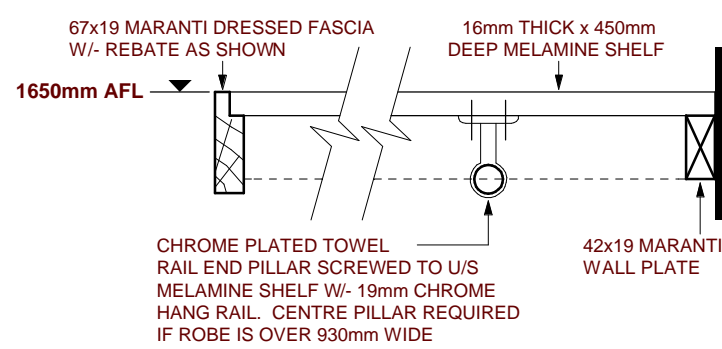
KITCHEN
1:50



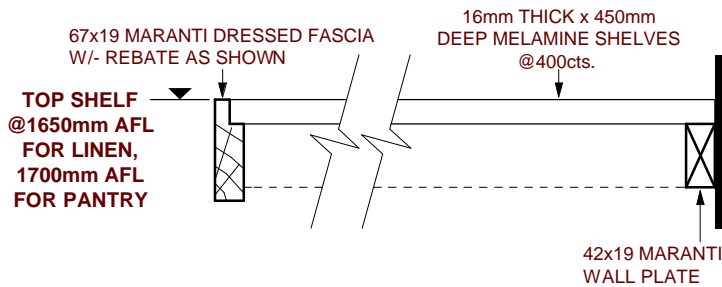
K1



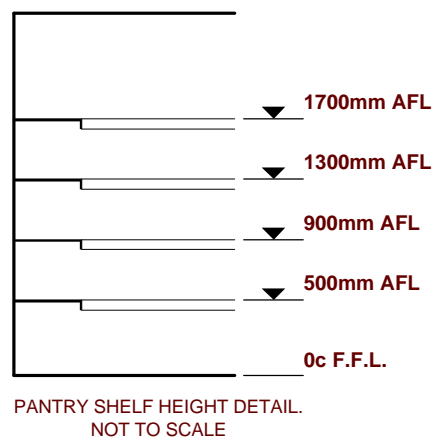
K2



TYPICAL ROBE DETAIL
1:5



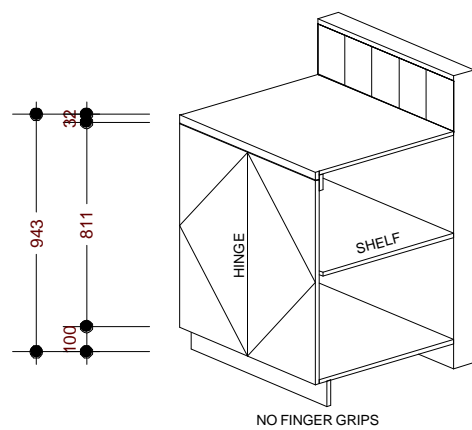
TYPICAL LINEN/PANTRY SHELVING DETAIL
1:5



PANTRY SHELF HEIGHT DETAIL.
NOT TO SCALE

CABINETMAKER NOTE:

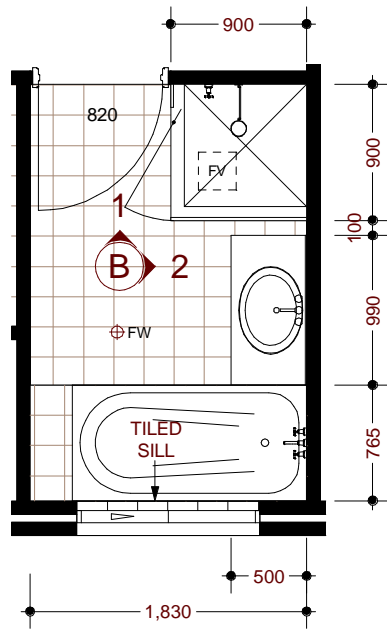
- CUTOUT SIZES ARE SUBJECT TO CHANGE. PLEASE CONFIRM ALL SIZES WITH APPLIANCE MANUFACTURERS PRIOR TO COMMENCEMENT OF WORK.
- PROVIDE HANDLES TO ALL CABINET WORKS



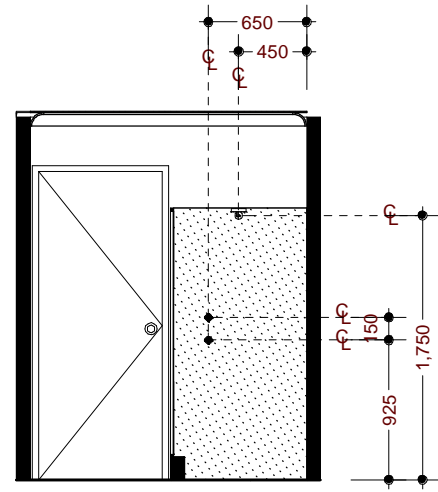
KITCHEN CUPBOARD DETAIL

APPLIANCES

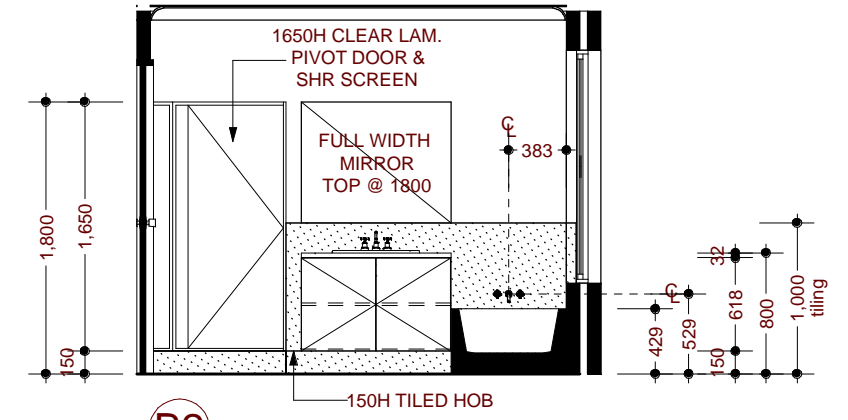
	UBO	GAS HP	DW REC	R/HOOD
MAKE	BLANCO	BLANCO	RECESS	BLANCO
MODEL	BOSE960X	BCG95X	ONLY	BRCPB90X
CUT-OUT H	477	-	911	0
CUT-OUT W	897	833	610	900
CUT-OUT D	-	475	600	0



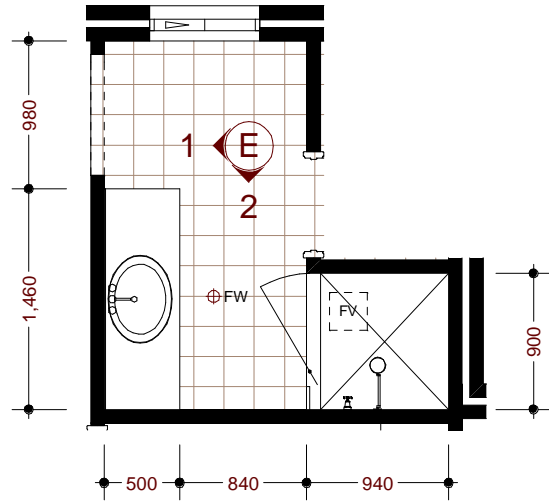
BATHROOM
1:50



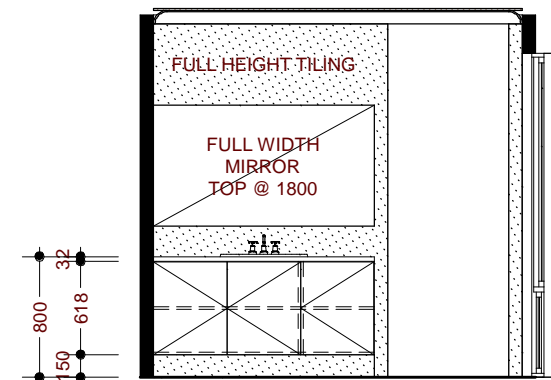
B1



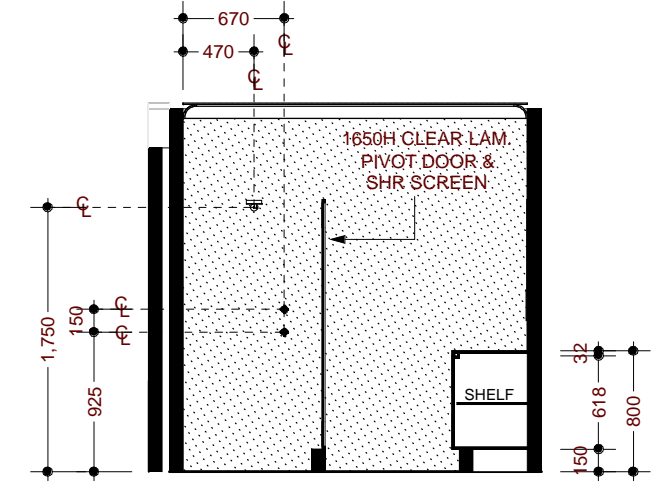
B2



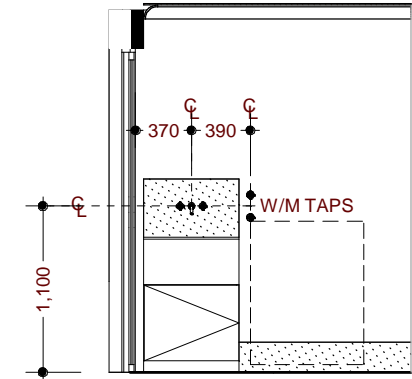
ENSUITE
1:50



E1



E2



LAUNDRY ELEVATION
1:50

CABINETMAKER NOTE:

- CUTOUT SIZES ARE SUBJECT TO CHANGE. PLEASE CONFIRM ALL SIZES WITH APPLIANCE MANUFACTURERS PRIOR TO COMMENCEMENT OF WORK.
- PROVIDE HANDLES TO ALL CABINET WORKS